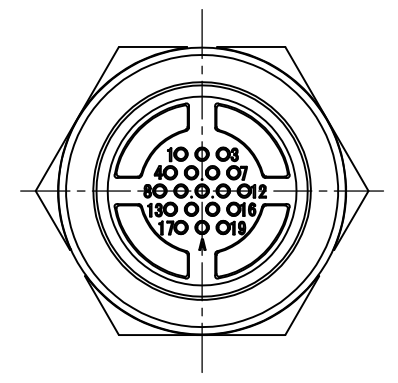
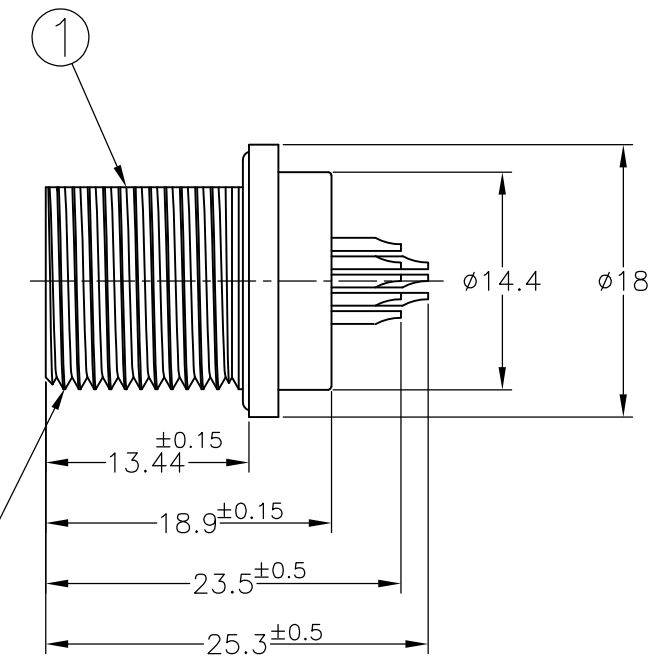
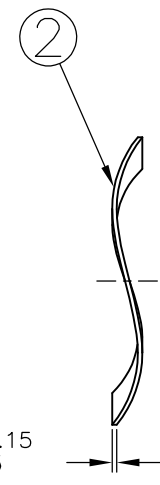
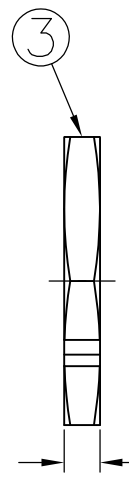
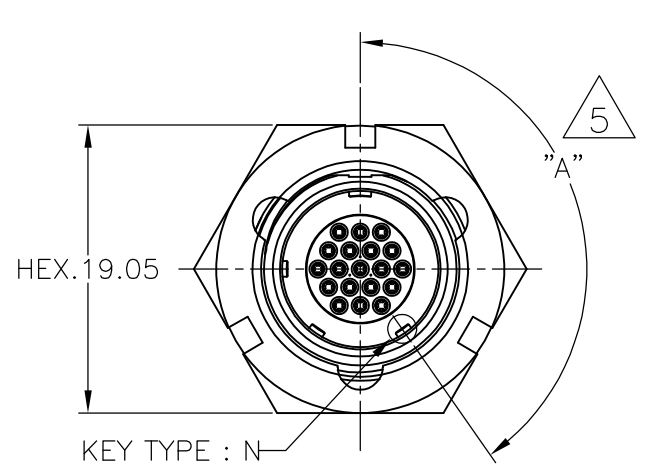
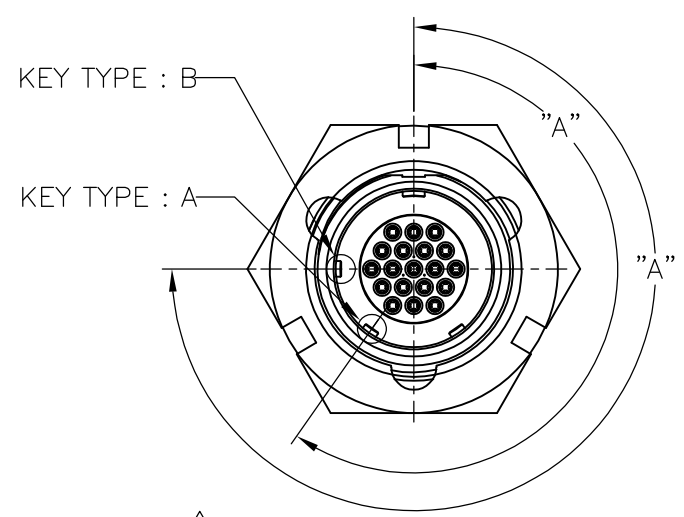
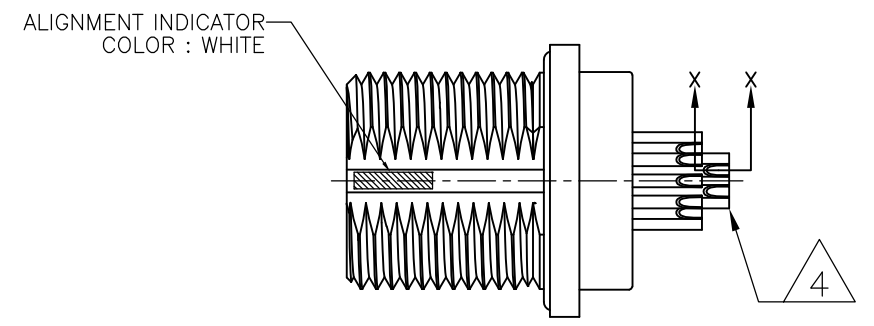
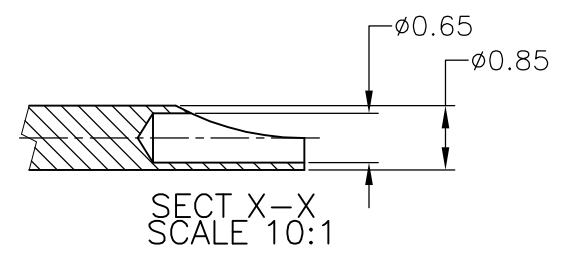


THIS DRAWING IS UNPUBLISHED. RELEASED FOR PUBLICATION FEB. 2012.
 © COPYRIGHT 2012 By Tyco Electronics Japan G.K. ALL RIGHTS RESERVED.

LOC	DIST	REVISIONS					
		P	LTR	DESCRIPTION	DATE	DWN	APVD
—	—		A3	REVISED	24JUL2015	T.K	C.O

本図: 2174215-1
 AS SHOWN: 2174215-1

- ① MATERIAL: BRASS
- ② FINISH : BLACK Sn-Ni, OVER Ni (9 ~ 10um)
- ③ FINISH : Ni PLATING (3 ~ 6um)
- ④ FINISH : Au PLATING (1.0um), Ni PLATING (2um MIN.)
- ⑤ KEY OPTION : TYPE N IS NORMAL POSITION.
 OPTION KEY IS TYPE A(-2) AND TYPE B(-3).

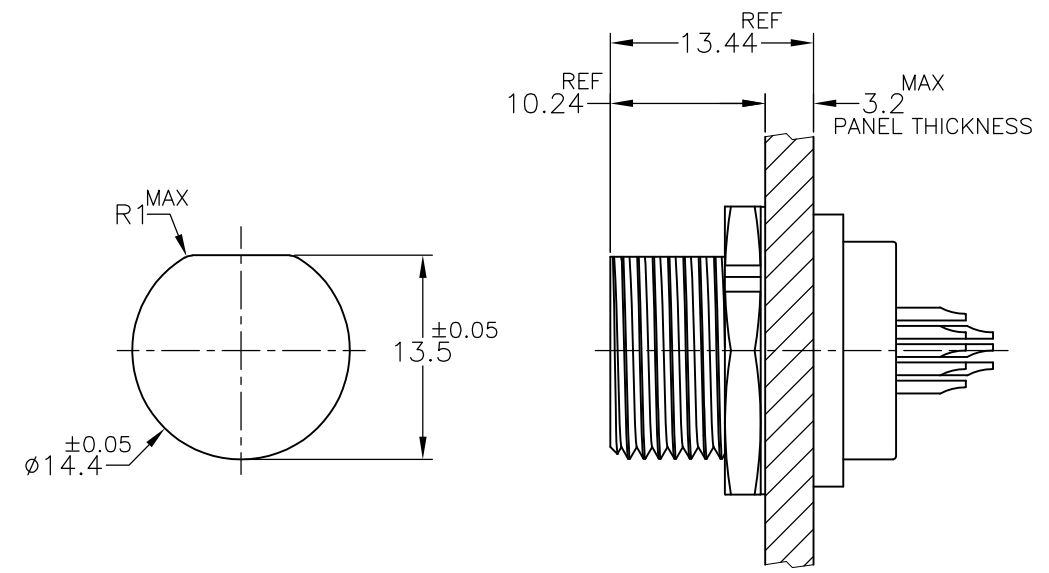


⑤ KEY POSITION OPTION

⑤ KEY POSITION

270°	TYPE B	2174215-3
215°	TYPE A	2174215-2
145°	TYPE N	2174215-1
DIM "A"	KEY TYPE	PART NUMBER

-3	-2	-1	PART NUMBER	ITEM
1	1	1	② HEX. NUT	③
1	1	1	③ WAVE SPRING WASHER	②
1			② CONNECTOR ASSEMBLY KEY-B	①
	1		CONNECTOR ASSEMBLY KEY-A	
		1	CONNECTOR ASSEMBLY KEY-N	
QTY			FINISH	ITEM



PANEL MOUNT REFERENCE DIMENSION

THIS DRAWING IS A CONTROLLED DOCUMENT.

DIMENSIONS: mm	TOLERANCES UNLESS OTHERWISE SPECIFIED: ±0.1	DWN T.SUGIYAMA 19FEB2012	TE Connectivity
	0-PLC ± 1-PLC ± 2-PLC ± 3-PLC ± 4-PLC ± ANGLES ±5°	CHK T.TONOBÉ 07MAY2012 APVD T.SUGIYAMA 07MAY2012	
MATERIAL ①	FINISH -	PRODUCT SPEC 108-78938	NMSMC 19P THREADED RECEPTACLE PIN SOCKET / SOLDER CUP CONNECTOR KIT
		APPLICATION SPEC 114-5503	RESTRICTED TO
		WEIGHT 19.000g	SIZE A3
		CUSTOMER DRAWING	CAGE CODE 00779
			DRAWING NO C-2174215
			SCALE 2:1
			SHEET 1 OF 1
			REV A3